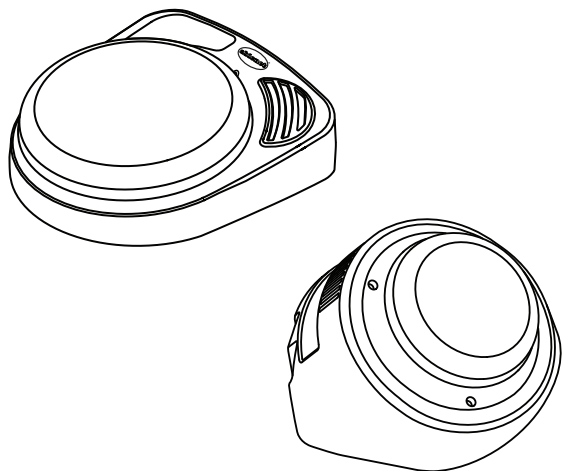
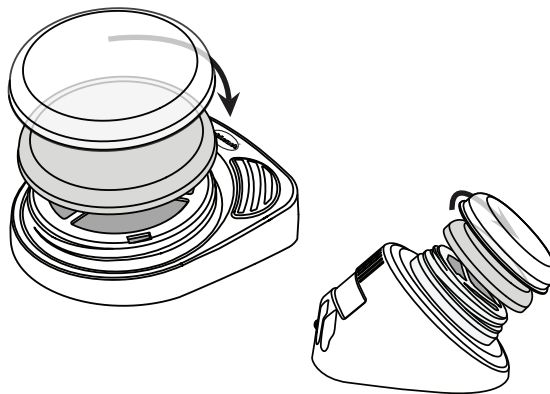


# Quickstart Guide: BIGmack® and LITTLEmack™ communicators



www.ablenetinc.com

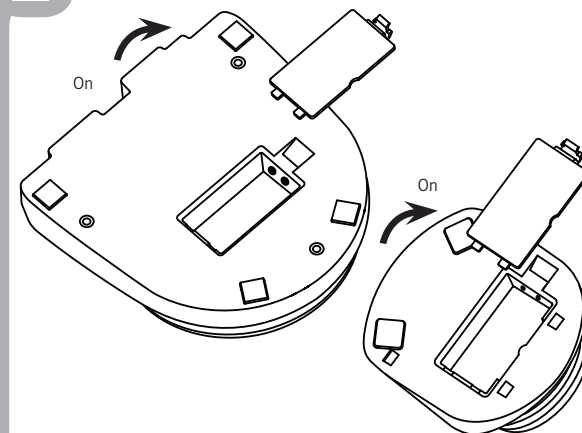
## 1 Choose your Switch Color



**Firmly, rotate the colored switch top counter-clockwise to remove. Attach a new color by rotating the cap clockwise until it stops.**

A Snap Switch Cap is included with your BIG or LITTLEmack. Place a picture or symbol on the switch top, and secure by snapping your Switch Cap over it.

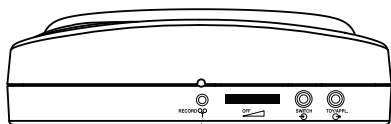
## 2 Insert Batteries and Turn On



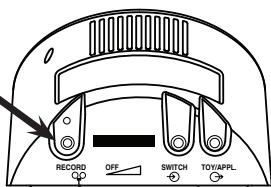
**Connect one 9-volt battery at the bottom of the device. Rotate the Volume ON/OFF knob to turn the device on.**

LITTLEmack includes a detachable Mounting Base that must be removed to access the battery door. Press the tab and slide to remove the base.

## 3 Enter Record Mode

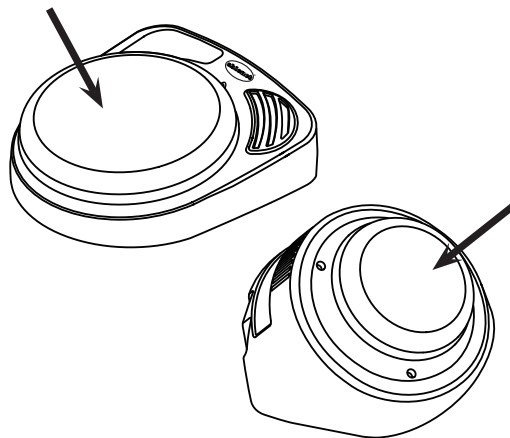


Press and Hold,  
then Release



**Press and Hold the RECORD button until the RECORD Light activates, then Release.**

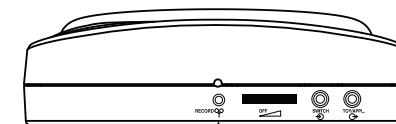
## 4 Record a Message



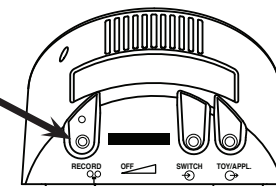
**Press and Hold the switch top, begin speaking when you hear a beep. Release when finished.**

RECORD Light will flash while recording.

## 5 Exit Record Mode



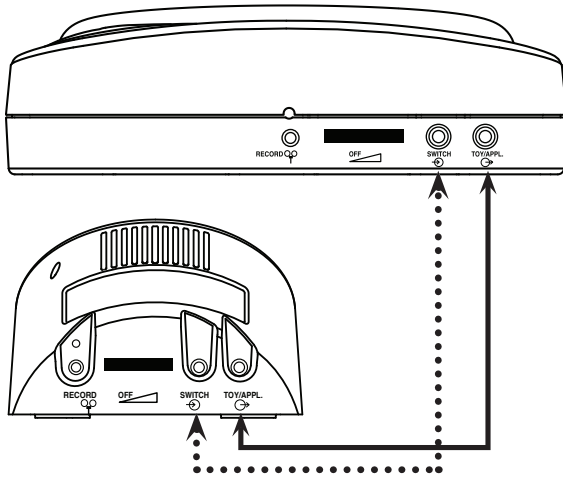
Press and  
Release



**Press and Release the RECORD button to exit Record Mode. Your BIG or LITTLEmack is ready for use.**

*NOTE: This device has 2 minutes of total recording time. The light will turn yellow and flash when only ten seconds of time remain.*

## Advanced Features



### Playing a message with an External Switch

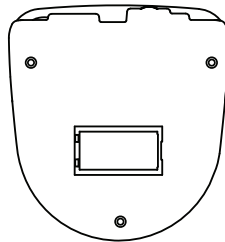
Attach the switch of your choice with a 1/8-inch (3.5mm) plug into the switch input jack and continue to use the device as before. (Jacks indicated with •••••)

### Controlling Toys or Appliances

Plug any switch-adapted toy or appliance into the TOY/APPL jack. When the BIG or LITTLEmack is activated, the attached toy or appliance will activate for the length of the recorded message. (Jacks indicated with —)

*NOTE: To control an electrical appliance, a PowerLink® 3 is required. For information about adapting toys and appliances, visit [www.ablenetinc.com](http://www.ablenetinc.com)*

## Mounting Options



### Mounting BIGmack

BIGmack can be mounted using the Large Triangular Mounting Plate\* and a variety of mounting systems. Screw the mounting plate into place using the three holes shown at left.

### Working with the Mounting Base and LITTLEmack

Release the base by pressing the quick release tab on the mounting base and sliding towards the back of the device.

Attach the base by aligning the four posts on the Base with the corresponding holes on LITTLEmack. Slide the base forward until it clicks.

For a temporary mount, use a #8 pan head screw and the two vertical slots on the Mounting Base. (Figure A)

For permanent mounting, screw the mounting base into place with the three holes shown at left. (Figure B)

*\*Additional mounting options available at [www.ablenetinc.com](http://www.ablenetinc.com)*

*Note: Specify large or small triangular mounting plate size when ordering mounting system.*

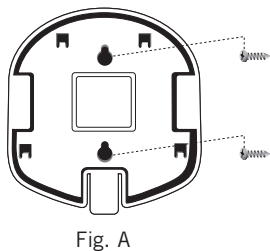


Fig. A

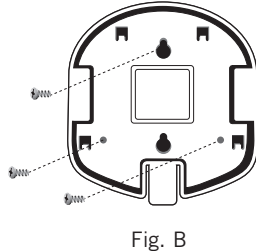
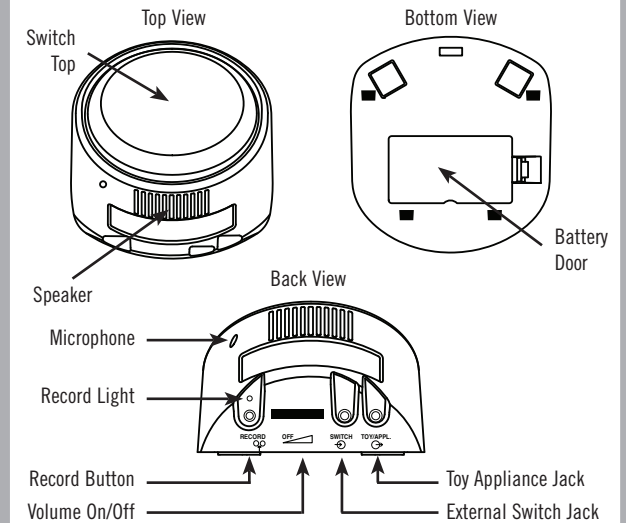
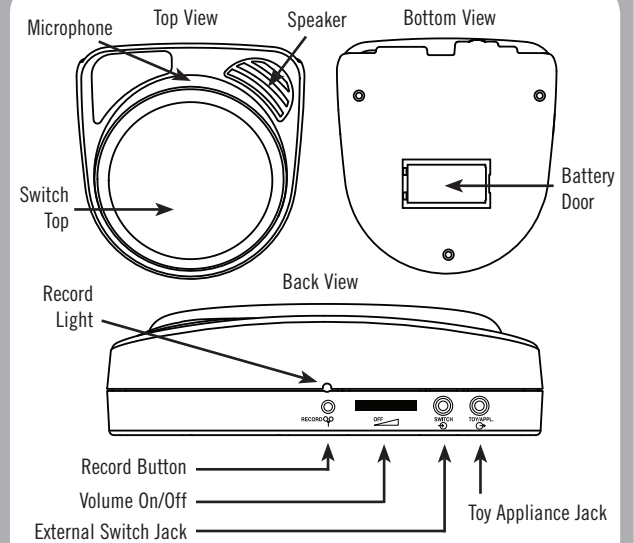


Fig. B

## Product Map and Warranty



### Warranty/Repair/Return Information

AbleNet offers a limited one-year warranty on the BIGmack and LITTLEmack communicator products. For full warranty details, visit [www.ablenetinc.com](http://www.ablenetinc.com)

### For more information on AbleNet products and services:

AbleNet, Inc.,  
 Minneapolis/St. Paul, MN  
 800-322-0956 (US & Canada)  
 Internet: [www.ablenetinc.com](http://www.ablenetinc.com)  
 © 2007 AbleNet, Inc., All Rights Reserved