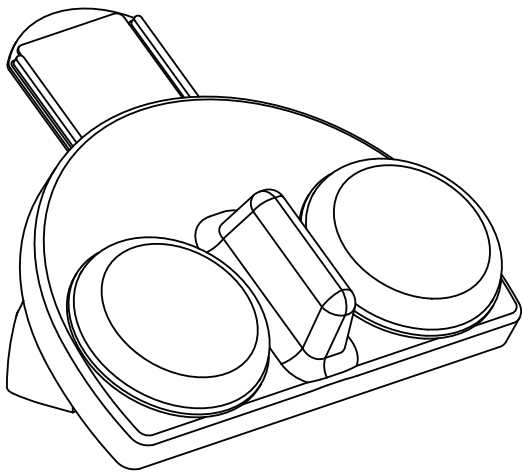
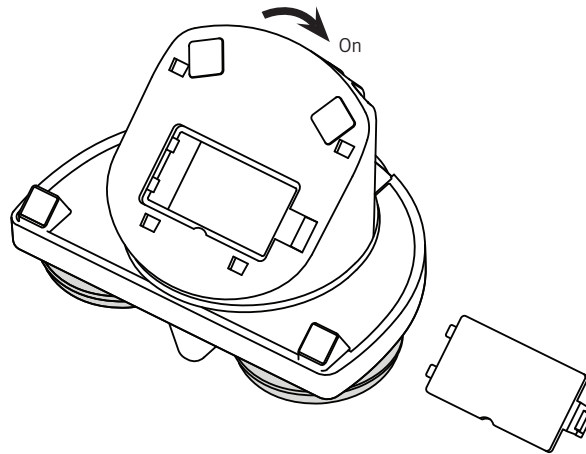


Quickstart Guide: iTalk2™ communicator



www.ablenetinc.com

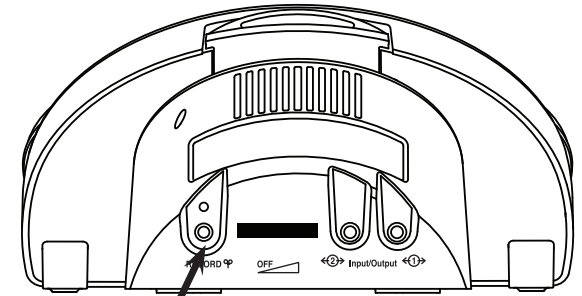
1 Insert Battery and Turn On



Connect one 9-volt battery at the bottom of the device. Rotate the Volume ON/OFF knob to turn the device on.

iTalk2 includes a detachable Mounting Base that must be removed to access the battery door. Press the tab and slide to remove the base.

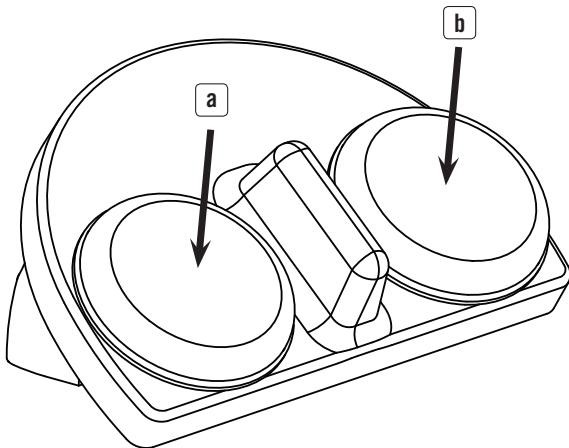
2 Enter Record Mode



Press and Hold,
then Release

Press and Hold the RECORD button until the RECORD Light activates, then Release.

3 Record Messages

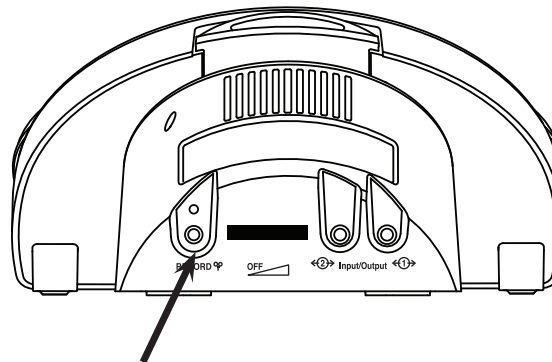


a. Press and Hold a switch top, begin speaking when you hear a beep. Release when finished.

b. Repeat for second location.

RECORD Light will flash while recording.

4 Exit Record Mode

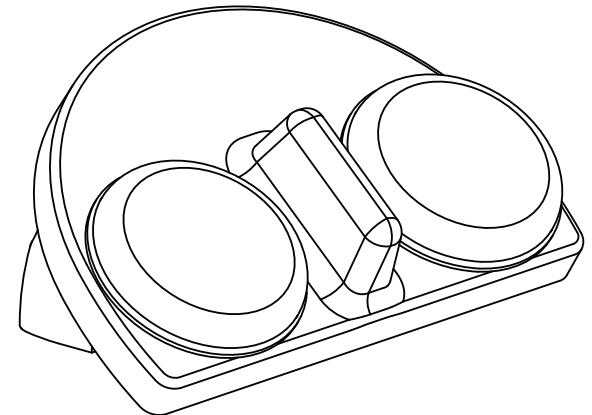


Press and Release

Press and Release the RECORD button to exit Record Mode.

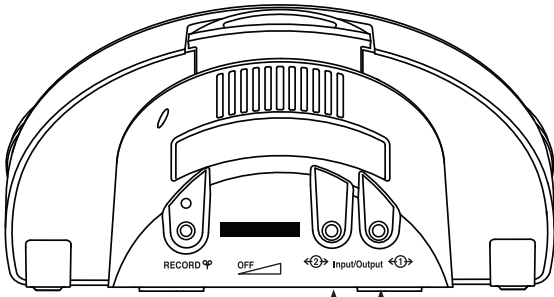
NOTE: This device has 2 minutes of total recording time. The light will turn yellow and flash when only ten seconds of time remain.

5 Play Messages



iTalk2 is now programmed and ready for use.

Advanced Features



- Yellow - Input/Output Jack 2
- Red - Input/Output Jack 1

Controlling Toys or Appliances

The iTalk2's Input/Output jacks allow you to activate switch-adapted toys or appliances with this device.

1. Plug any switch-adapted toy or appliance into one or both of the Input/Output jacks.
2. Record a message into the corresponding location(s).
NOTE: Red switch activates jack 1, Yellow activates jack 2.
3. Press the switch top to play the message and activate the attached toy or appliance for the length of the message.

NOTE: To control an electrical appliance, a PowerLink® 3 is required. For information about adapting toys and appliances, visit www.ablenetinc.com

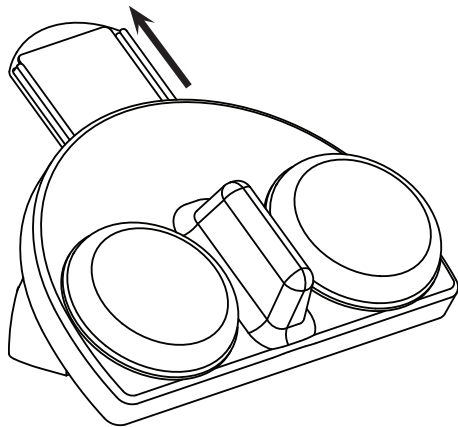
Playing a message with an External Switch

iTalk2's Input/Output jacks default to the settings above. To use external switch(es) with the iTalk2:

1. Turn the device off.
2. Attach switch(es) of your choice with 1/8-inch (3.5mm) plugs into one or both of the Input/Output jacks.
3. While holding external switch(es) down, turn iTalk2 on.

The Toy/Appliance feature is disabled when using external switch(es). To revert to default Toy/Appliance function, turn the device off and back on.

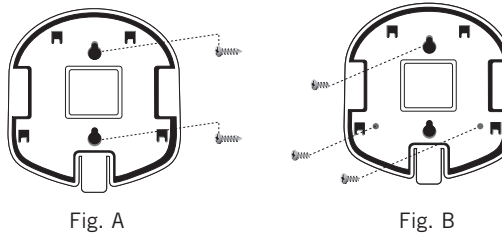
Using Pictures and Symbols



Two Snap Switch Caps have been included with the iTalk2. Use these clear plastic caps to secure pictures or symbols to the switch tops.

iTalk2 also includes a built-in symbol holder at the top of the device. Pull the clear plastic holder away from the device to store any picture or symbol up to 2 by 2-inches.

Mounting Options



The iTalk2 communicator includes an easy mounting base.

Release the base by pressing the quick release tab on the mounting base and sliding towards the back of the device.

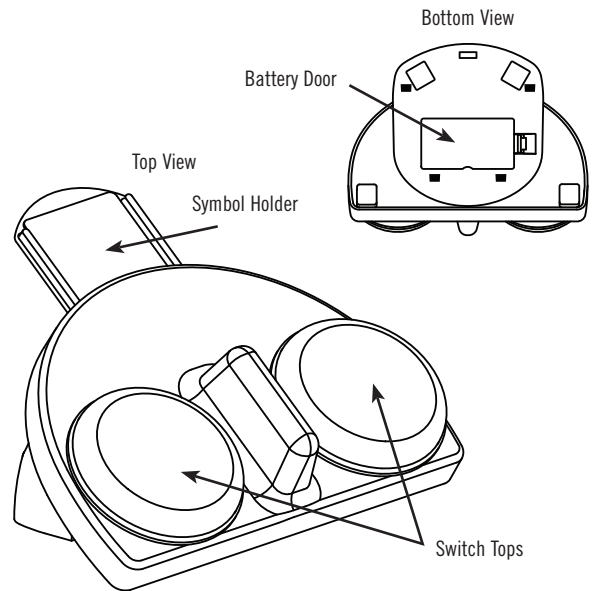
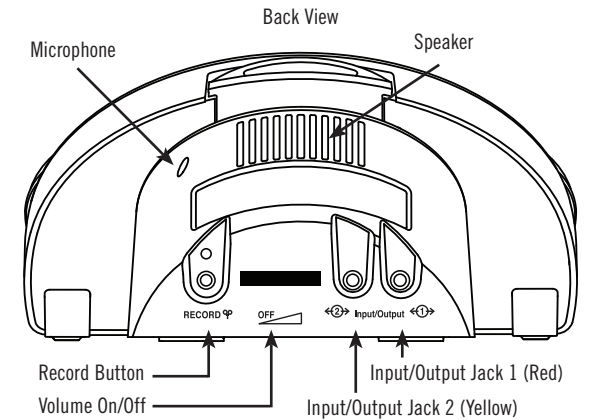
Attach the base by aligning the four posts on the Base with the corresponding holes on iTalk2. Slide the base forward until it clicks.

For a temporary mount, use a #8 pan head screw and the two vertical slots on the Mounting Base. (Figure A)

For permanent mounting, screw the mounting base into place with the three holes shown at left. (Figure B)

Additional mounting options available at www.ablenetinc.com.

Product Map and Warranty



Warranty/Repair/Return Information

AbleNet offers a limited one-year warranty on the iTalk2 communicator product. For full warranty details, visit www.ablenetinc.com

For more information on AbleNet products and services:

AbleNet, Inc.,
Minneapolis/St. Paul, MN
800-322-0956 (US & Canada)
Internet: www.ablenetinc.com
© 2007 AbleNet, Inc., All Rights Reserved