


**Single and Double Support Wheelchair Mounts**

**Ergonomic lightweight, durable design that tilts, extends, swings away without requiring special tool**

Options: Single or Dual Support, 2 sizes of Compartments, Flip Top

Item	Description	Photo	Price
Mount <b>RD-DM900</b>	<b>Single Support Wheelchair Desk Mount</b> Medicare HCPCS Code: K0546		<b>\$339.00</b>
<b>Brackets</b> Standard <b>DM-247DMB90</b>	<b>Features</b> <ul style="list-style-type: none"> <li>• Single support ergonomic design</li> <li>• Mounts directly to wheelchair</li> <li>• Tilts in an infinite number of positions</li> <li>• Swings away or removes for easy transfers</li> <li>• Transparent acrylic desktop surface keeps visibility while moving</li> <li>• Reorient desktop from portrait to landscape by twisting of a knob</li> <li>• Height adjustment also allows you to raise the surface 2" more</li> </ul>		<b>Bracket</b> Standard <b>\$79.95</b>
Versatile <b>DM-247AMB90</b>	Choose our standard bracket 247-DMB 90 (\$79.95 additional) or 247-AMB 90 unit (\$143.00 additional) for more versatile adjustment capability. Described below.		Versatile <b>\$143.00</b> <a href="#">Details</a>
<a href="#">Details</a>		No special tools to mount, move or remove	
w storage <b>RD-3100</b>	<b>Dual Support Wheelchair Desk Mount w/ "Flip Top" Storage Desk</b> Medicare HCPCS Code: K0544	<a href="#">Details</a>	w storage <b>\$499.95</b>
w/o storage <b>RD-3500</b>	<b>Options</b> <ul style="list-style-type: none"> <li>• with storage compartment</li> <li>• without storage compartment</li> </ul>		w/o storage <b>\$419.95</b>
<a href="#">Details</a>			<b>2 Brackets</b> Standard <b>\$159.90</b>
<b>Accessories</b>	<b>Highlights</b> <ul style="list-style-type: none"> <li>• Attractive dual support ergonomic design</li> <li>• Hidden storage for laptop computer or supplies</li> <li>• Large, sturdy working surface (22.75" x 15")</li> <li>• Shifts right or left to clear power controls</li> <li>• Swings away or removes for easy transfers</li> <li>• Convenient tilt and height adjustments</li> <li>• Transparent acrylic desktop surface maintains visibility while moving</li> </ul>		Versatile <b>\$286.00</b> <a href="#">Details</a>

Choose our standard bracket 247-DMB 90 (\$79.95 each additional) or 247-AMB 90 unit (\$143.00 each additional) for more versatile adjustment capability.

[Details](#)



No special tools to mount, move, or remove

[Details](#)

**RD-3200**  
[Accessories](#)

### Dual Support Wheelchair Desk Mount w/ "Flitop" Double Storage Desk

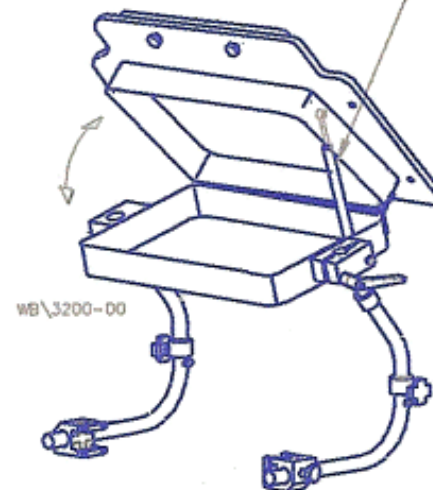
FlipTop Double Storage system was designed for those individual who likes to have their laptop computer stored inside the compartment and still have the option of the work surface.

Compartment specification: 17"w x 11"h x 3.37"d total height. Actual depth is 1.68" with unique opening lid that gives you the double storage capacity as illustrated at left view.

Rest of the description is identical to standard FlipTop Storage 3100 series above.

Choose our standard bracket 247-DMB 90 (\$79.95 each additional) or 247-AMB 90 unit (\$143.00 each additional) for more versatile adjustment capability. Described below.

AIR SPRING LIFTER



**\$584.95**

2 Brackets  
Standard  
**\$159.90**

Versatile  
**\$286.00**

**RD-5000** Desk Mount for Scooters

**Bracket Standard DM-247DMB90**

The MYDESC Scooter Model is designed especially for active scooter users. The smaller work surface ( 9" x 12" ) provides a convenient surface for laptop computer or note book. This model mounts to the bottom of the scooter seat.

**Versatile DM-247AMB90**

**Accessories**



Desk Mount  
**\$349.95**

**Bracket Standard \$79.95**

**Versatile \$143.00**

No special tools to mount, move, or remove

**Dynavox etc. RD-9100** Communication Device Wheelchair Desk Mount

**Prentke Romich RD-9200**

This unique mounting system has the same high quality ball-joint design and the required standard rigid mounting bracket RD-DMB90 (\$79.95) that will attach to vertical or horizontal frame, round or square tube from .75" to 1.25" dia.

You can set the positive stop collar so the device will return to the same position after swinging away.

A quick release mount also allows you to remove the entire communication device. You can even interchange it with an optional work surface.

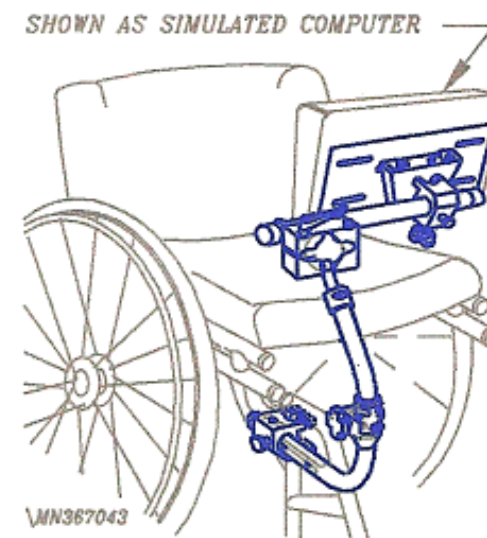
RD-9100 is designed for Dynavox and other systems. RD-9100 is designed for Prentke Romich System.

Or order the versatile adjustable mounting bracket RD-AMB90 which can be attached to curved or diagonal tube frame from .75" to 1.50" dia.(\$143.00)

**Bracket Standard DM-247DMB90**

**Versatile DM-247AMB90**

**Accessories**



**\$589.95**

**Bracket Standard \$79.95**

**Versatile \$143.00**

No special tools to mount, move, or remove

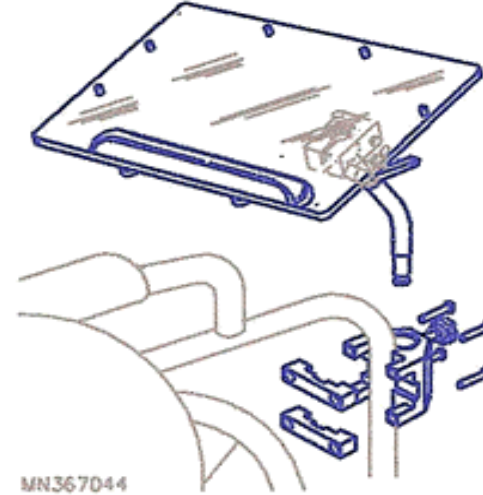
**RD-DM500** Basic Direct Wheelchair Desk Mount without Storage

**Bracket Standard**  
**DM-247DMB90**

Versatile  
**DM-247AMB90**

Accessories

This model is the most simple basic version of MYDESC design. This system is ideal for those who plan to remove the work surface often, because it is very easy to take on and off. It will require our mounting bracket 247-DM100 (\$79.95 additional). This will attach to vertical or horizontal frame member (round or square tubing) from .75" to 1.25" dia.



**Bracket Standard**  
**\$79.95**

Versatile  
**\$143.00**

No special tools to mount, move, or remove

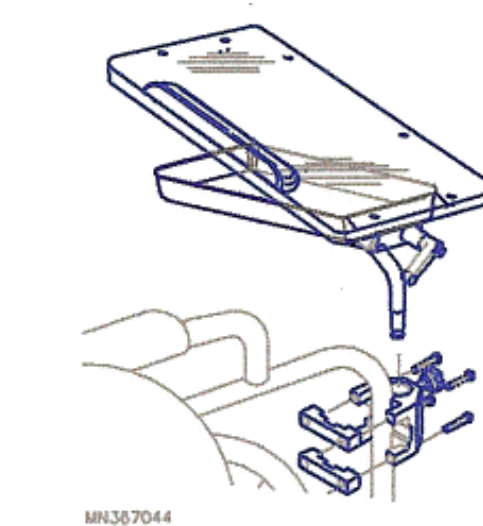
**RD-DM560** Basic Direct Wheelchair Desk Mount with Storage

**Bracket Standard**  
**DM-247DMB90**

Compartment size: 11.5"w x 9"h x 2"d All the mounting configuration and specification is same as model RD-DM500

Versatile  
**DM-247AMB90**

Accessories



**\$349.95**

**Bracket Standard**  
**\$79.95**

Versatile  
**\$143.00**

No special tools to mount, move, or remove

Bracket Brackets

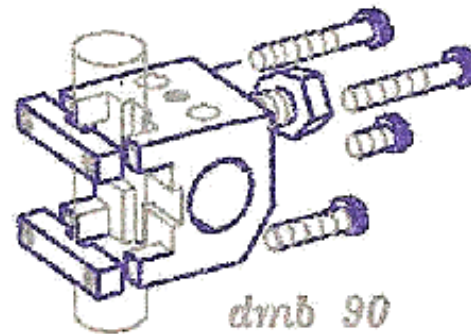
Standard

**DM-247DMB90** Our versatile angular adjustable mounting bracket DM-247AMB90 can be attached to curved or diagonal tube frame from .75" to 1.50" dia.

Versatile

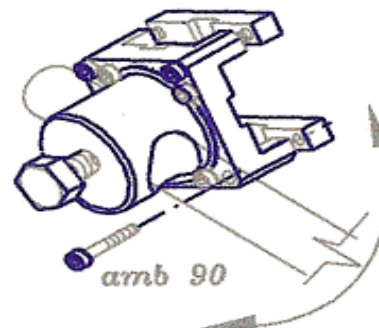
**DM-247AMB90**

Accessories



Bracket  
Standard  
**\$79.95**

Versatile  
**\$143.00**



Turning Point Therapy & Technology,  
Inc.  
PO Box 310945  
New Braunfels, TX 78131-0945

Member of ATIA

Contact Us

Toll 877-608-9812  
Free: 830-608-9812//830-608-0882  
Phone// support@turningpointtechnology.  
Fax:com  
Support: sales@turningpointtechnology.com  
Sales: webmaster@turningpointtechnology.  
Website:com

Since 11/24/98